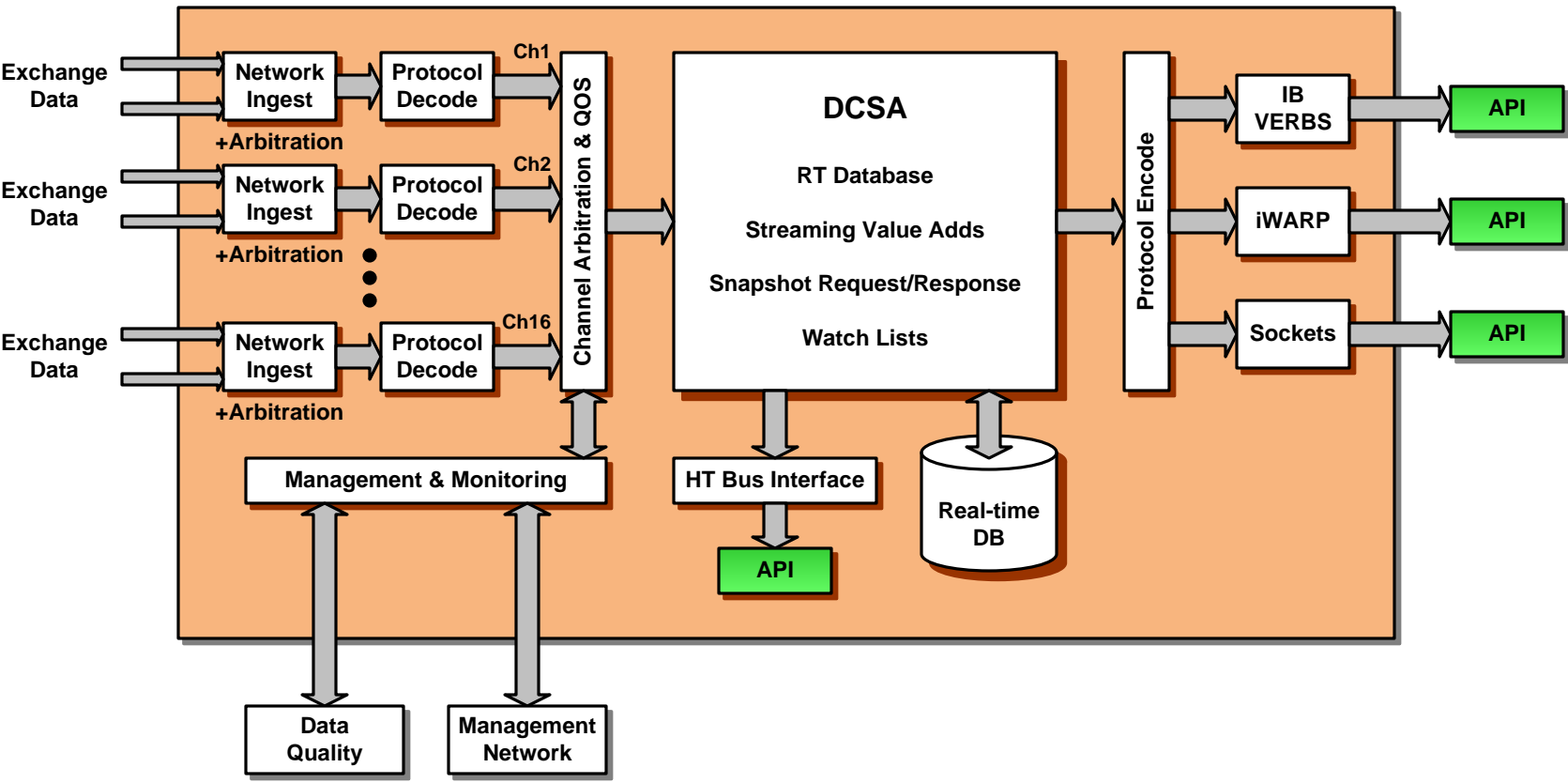


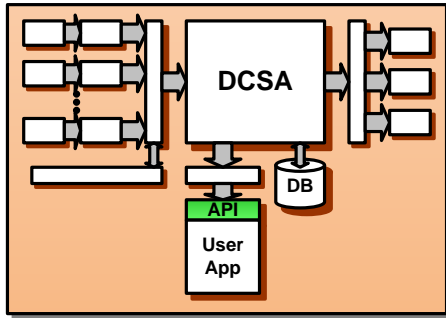
ActivFeed MPU System Components



ActivFeed MPU – Configuration Alternatives

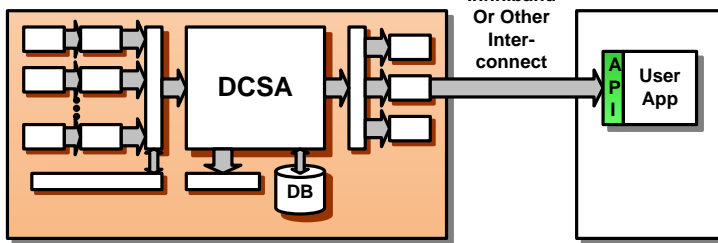
Configured for Lowest Possible Latency

On-box Application
ACTIV MPU



- Software Application Using Native API
- Hypertransport Interconnect to DCSA
- Ultra Light-weight Native API
- 1 Client Only

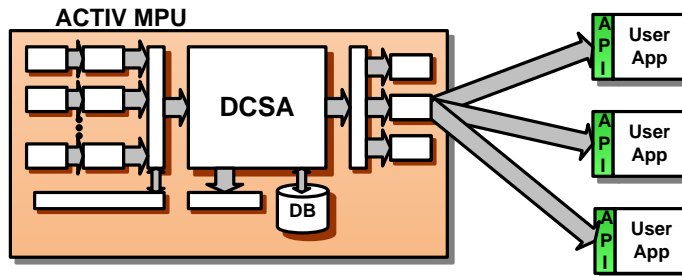
High-Speed Interconnect
ACTIV MPU



- Software Application Using Ultra Light-weight Native API
- Transports:
 - IB-VERBS
 - iWARP
 - Sockets
- Small Number of Clients

Configured for Power & Space Optimization

Medium Scale Fan-out (100s of consumers – Using IB-VERBS or iWARP)



Large Scale Fan-out (1,000s of consumers – Backward Compatible with ActivFeed API)

